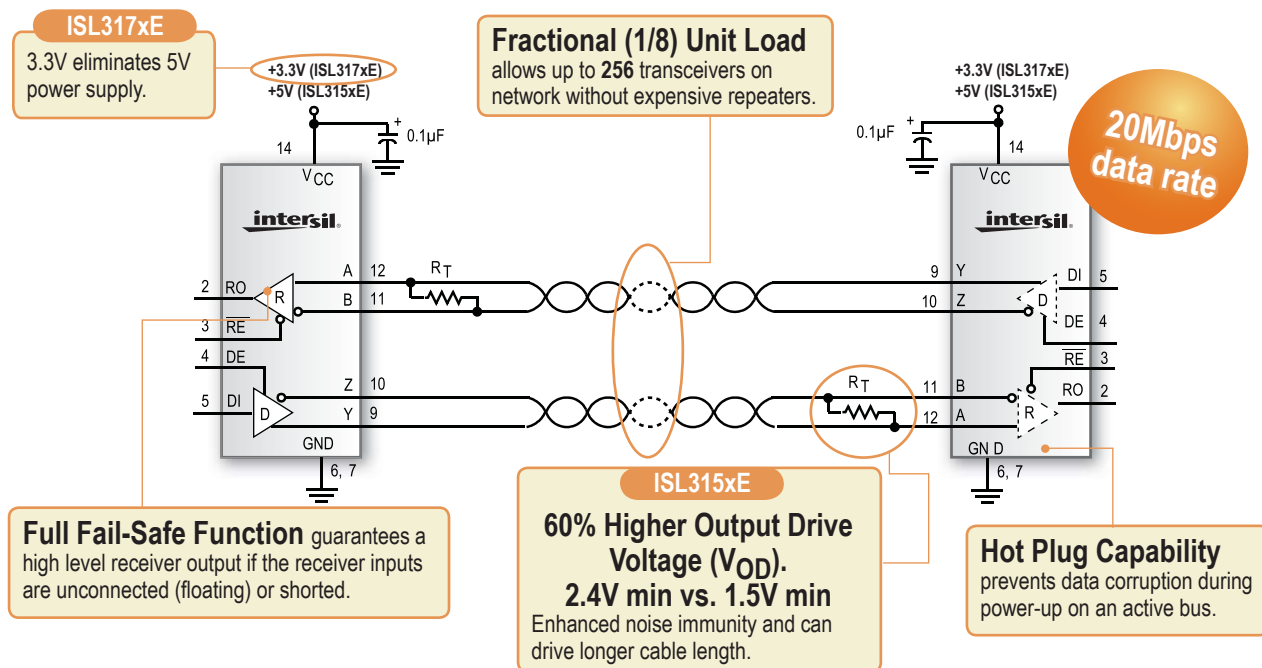


Full Fail-Safe RS-485/RS-422 Transceiver with IEC61000 ESD Protection

Tiny MSOP Package Saves 70% of board space over SOIC

8 Ld MSOP

IEC61000-4-2 Protection
 $\pm 15\text{kV}$ Airgap discharge,
 $\pm 8\text{kV}$ contact discharge.



3.3V, Fractional UL, 15kV ESD, Full Fail-Safe
 ISL3170E, ISL3171E, ISL3172E, ISL3173E, ISL3174E, ISL3175E,
 ISL3176E, ISL3177E, ISL3178E

5V, Fractional UL, 15kV ESD, Full Fail-Safe
 ISL3150E, ISL3152E, ISL3153E, ISL3155E, ISL3156E, ISL3158E

(See Page 7 for Complete Selection Table)

- ### Applications
- Factory Automation
 - Security Networks
 - Building Environmental Control Systems
 - Industrial/Process Control Systems
 - Automated Utility Meter Reading Systems

15kV HBM ESD Protected Dual Protocol Transceivers with User-Configurable Ports

Intersil's ISL81334, ISL41334, ISL81387, ISL41387 are user-configurable RS-232 and/or RS-485/RS-422 transceivers in a single and dual port option.

SINGLE PORT

2.2V min. Tx output voltage for exceptional noise immunity in RS-485/422 protocols and 1Mbps Rx data rate in RS-232 mode.



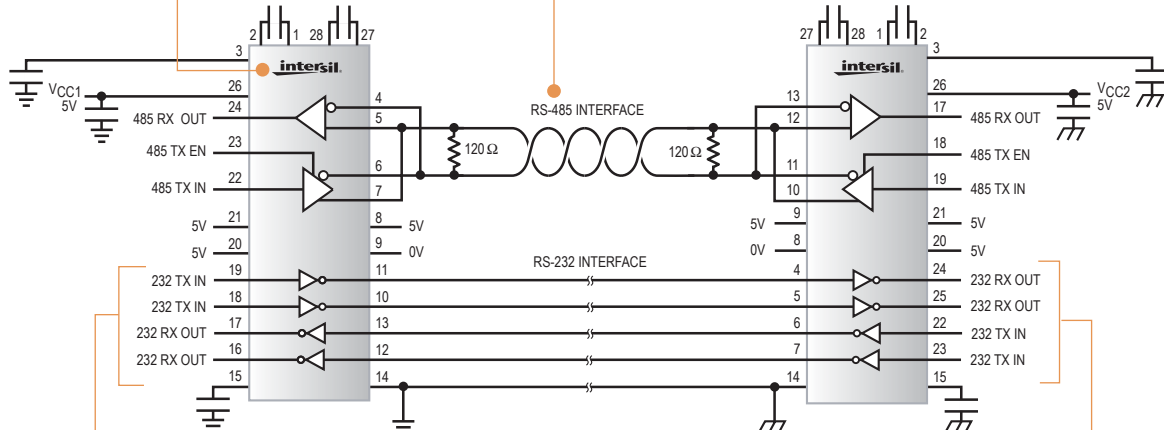
DUAL PORT

Additional ports on two-channel transceivers allow option for two RS-485/422 transceivers or four RS-232 transceivers.



Full fail-safe function guarantees a high level receiver output if the receiver inputs are floating or shorted.

Exceptional RS-485/RS-422 differential V_{OUT} (2.7V-3.1V) for increased system noise immunity.



Control pins allow for programmable configuration to single RS-485/RS-422 or dual RS-232.

Bus pins carry 15kV HBM protection.

Key Specifications

Device	Supported Protocols	# of Ports	# of Tx/Rx per Port	High ESD (kV)	Data Rate RS-485/RS-232 (Mbps)	RS-485 Rx Fail-Safe Type	V _{LOGIC} Supply Pin?	RXEN Polarity	Loopback Feature?	Operating I _{CC} RS-485/RS-232 (mA)	SHDN I _{CC} (μA)	V _{CC} Range (V)	Package
ISL41334	RS-232, RS-422, RS-485	2	1/1 RS-485, RS-422 2/2 RS-232	15	20, 0.46, 0.115/0.5	Full	Yes	Low	Yes	1.6/3.7	80	5	40 Ld QFN
ISL41387	RS-232, RS-422, RS-485	1	1/1 RS-485, RS-422	15	20, 0.46, 0.115/0.5	Full	Yes	High and Low	Yes	1.6/3.7	35	5	40 Ld QFN
ISL81334	RS-232, RS-422, RS-485	2	1/1 RS-485, RS-422 2/2 RS-232	15	20/0.5	Full	No	None	Yes	1.6/3.7	42	5	28 Ld SOIC, 28 Ld SSOP
ISL81387	RS-232, RS-422, RS-485	1	1/1 RS-485, RS-422 2/2 RS-232	15	20, 0.46/0.5	Full	No	High	Yes	1.6/3.7	35	5	20 Ld SOIC, 20 Ld SSOP

The Most Rugged and Reliable RS-485/RS-422 Transceiver Delivers the Highest Speed Over the Widest Temperature Range


Intersil's ISL3159E and ISL3179E are among the fastest transceivers on the market enabling high speed communication for harsh environments.

Coming Soon!

ISL3159E

40Mbps Data Rate

5V V_{CC}



3mm

3mm

Large Differential V_{OUT}: 2.8V into 54Ω

Tiny DFN Package

Also available in SOIC and MSOP


Ultra-fast data rate of 40Mbps required by high speed PROFIBUS factory automation.

Coming Soon!

ISL3179E

32Mbps Data Rate

3.3V V_{CC}



3mm

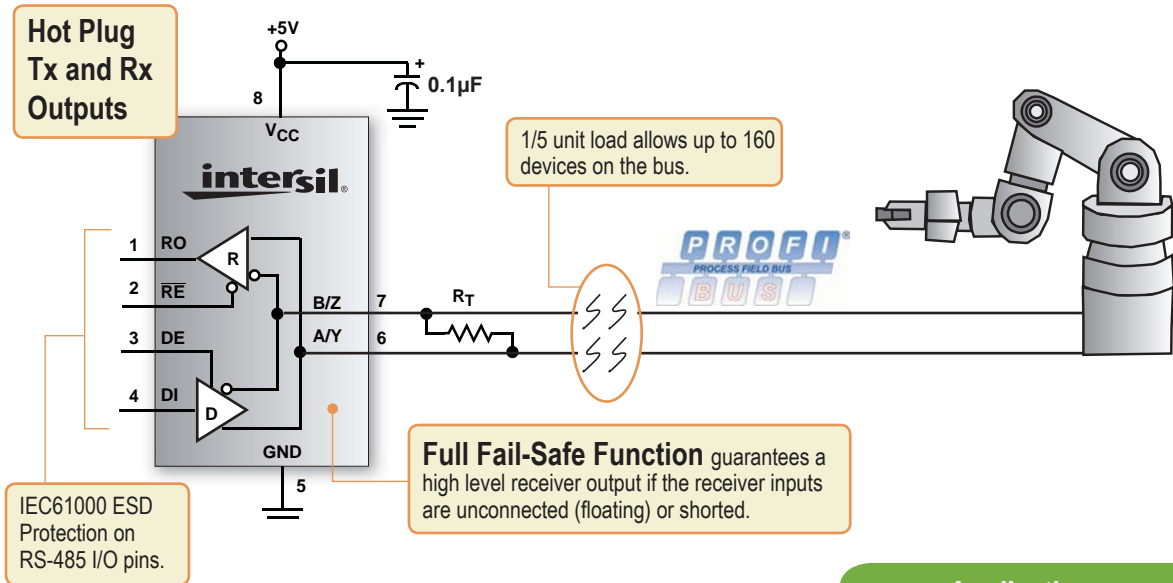
3mm

125°C Operation

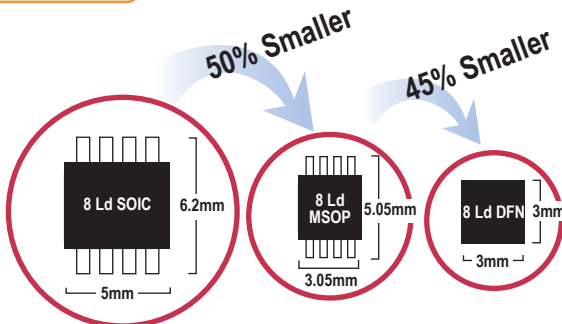
Tiny DFN Package

Also available in SOIC and MSOP

Ideal for space-constrained, motor control applications.



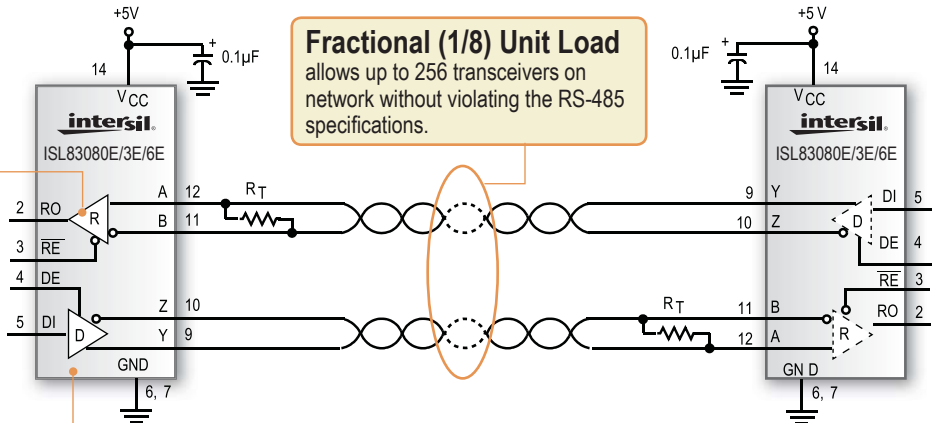
- Applications**
- ▶ Factory Automation
 - ▶ Motor Controller Systems
 - ▶ Field Bus Networks
 - ▶ Security Networks
 - ▶ Building Environmental Control Systems



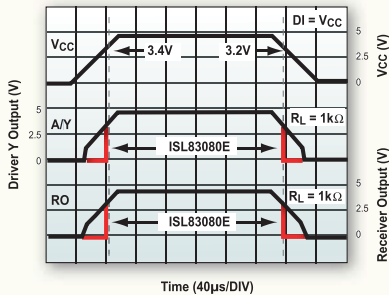
±15kV, Full Fail-Safe +5V RS-485/RS-422 Transceiver with Hot Plug Circuitry Ensures Stability

Full Fail-Safe Function guarantees a high level receiver output if the receiver inputs are unconnected (floating) or shorted.

±15kV ESD Protection on RS-485 I/O pins and Class 3 ESD level on all other pins.



Hot Plug Circuitry ensures that the Tx and Rx outputs remain in a high impedance state while the power supply stabilizes.



HOT PLUG PERFORMANCE (ISL83080E) vs DEVICE WITHOUT HOT PLUG CIRCUITRY (ISL83086E)

Key Features

- Data Rate Options:
 - 2 slew rate limited options for low data rates
 - 10Mbps high speed options for high data rates
- Single 5V operation with 10% tolerance
- Full and half duplex configurations
- -7V to +12V common mode input and output voltage range

Applications

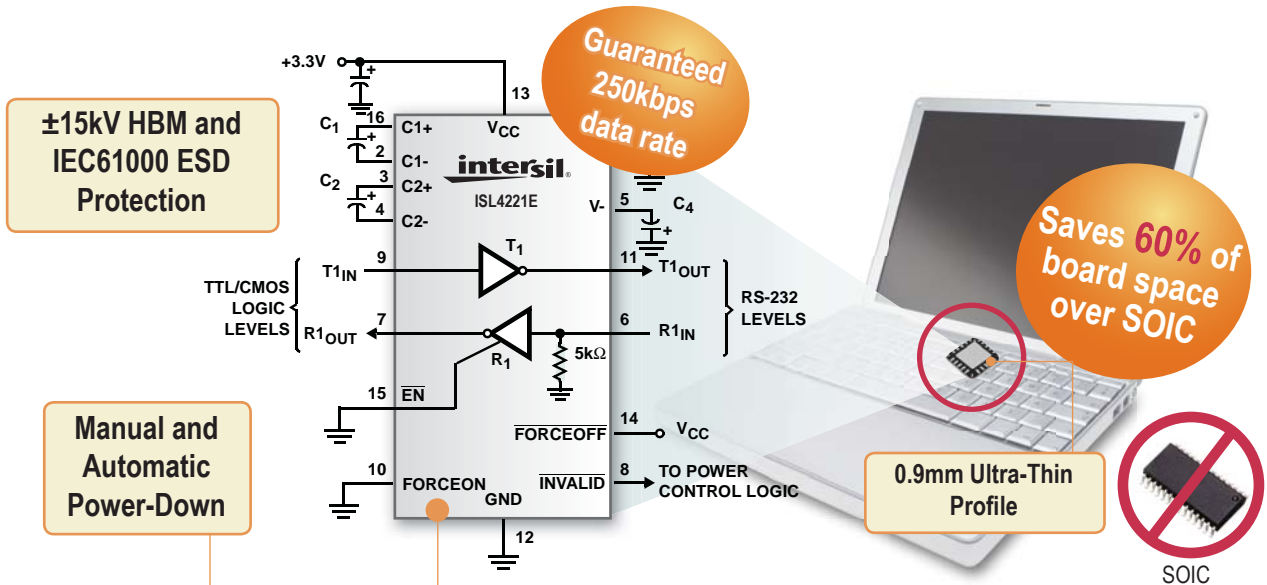
- Factory Automation
- Security Networks
- Building Environmental Control Systems
- Industrial/Process Control Systems
- Automated Utility Meter Reading Systems

+5V, ±15kV HBM ESD-Protected Fractional (1/8) Unit Load, RS-485/RS-422 Transceivers Key Specifications

Device	# of Tx/ # of Rx	Devices Allowed on Bus	Half/Full Duplex	Hot Plug	Data Rate (Mbps)	Slew Rate Limited	Tx/Rx Enable	I _{CC} EN/DIS (µA)	SHDN I _{CC} (µA)	V _{CC} Range (+V)	Package
ISL83080E	1 / 1	256	Full	Yes	0.115	Yes	Yes	530 / 530	0.07	4.5 to 5.5	10 Ld MSOP, 14 Ld SOIC
ISL83082E	1 / 1	256	Half	Yes	0.115	Yes	Yes	560 / 530	0.07	4.5 to 5.5	8 Ld MSOP, 8 Ld SOIC
ISL83083E	1 / 1	256	Full	Yes	0.5	Yes	Yes	530 / 530	0.07	4.5 to 5.5	10 Ld MSOP, 14 Ld SOIC
ISL83085E	1 / 1	256	Half	Yes	0.5	Yes	Yes	560 / 530	0.07	4.5 to 5.5	8 Ld MSOP, 8 Ld SOIC
ISL83086E	1 / 1	256	Full	No	10	No	Yes	530 / 530	0.07	4.5 to 5.5	10 Ld MSOP, 14 Ld SOIC
ISL83088E	1 / 1	256	Half	No	10	No	Yes	560 / 530	0.07	4.5 to 5.5	8 Ld MSOP, 8 Ld SOIC

Smallest Size Family of RS-232 Transceivers with Low Power and High ESD

+3V to +5V, RS-232 transceivers in ultra-small QFN package, ideal for space-constrained, battery-operated applications.



Key Features

- Wide power supply range: +2.7V to +5.5V
- Very low, 300 μ A supply current
- Meets EIA/TIA-232 specifications down to V_{CC} = 3.0V

Applications

- Cellular Data Cables
- PDA's and PDA Cradles
- GPS Receivers
- Handheld Equipment
- Battery-Powered Applications



+3V to +5V, RS-232 IEC-61000 ESD-Protected Transceivers in QFN Package Key Specifications

Device	# of Tx	# of Rx	Auto Shutdown	Rx Disable	Data Rate (kbps)	Cap. Value (μ F)	I _{CC} Enabled (mA)	I _{CC} Disabled (μ A)	V _{CC} Range (+V)	Package
ISL4221E	1	1	Basic	Yes	500	0.1	0.3	0.15	2.7 to 5.5	16 Ld QFN
ISL4223E	2	2	Basic	Yes	500	0.1	0.3	0.15	2.7 to 5.5	20 Ld QFN
ISL4238E	5	3	Enhanced	No	500	0.1	0.3	0.01	2.7 to 5.5	32 Ld QFN
ISL4241E	3	5	No	Yes	500	0.1	0.3	0.01	2.7 to 5.5	32 Ld QFN
ISL4243E	3	5	Basic	No	500	0.1	0.3	0.01	2.7 to 5.5	32 Ld QFN
ISL4244E	3	5	Enhanced	No	500	0.1	0.3	0.01	2.7 to 5.5	32 Ld QFN
ISL4245E	3	5	Enhanced	No	1000	0.1	0.3	0.01	2.7 to 5.5	32 Ld QFN
ISL4260E	3	2	No	No	500	0.1	0.3	0.15	3 to 5.5	32 Ld QFN
ISL4270E	3	3	Enhanced	No	500	0.1	0.3	0.3	3 to 5.5	32 Ld QFN

RS-232 Selection Guide

ESD Protected, 3V

Device	# of Tx	# of Rx	High ESD	Manual Shutdown	Auto Shutdown	Rx Disable	Data Rate (kbps)	Cap. Value (µF)	I _{CC} Enabled (mA)	I _{CC} Disabled (A)	V _{CC} Range (+V)	Package
ICL3207E	5	3	Yes	No	No	No	300	0.1	0.3	N/A	3 to 5.5	24 Ld SOIC, 24 Ld SSOP
ICL3217E	5	3	Yes	No	Basic	No	300	0.1	0.3	1	3 to 5.5	24 Ld SOIC, 24 Ld SSOP
ICL3221E	1	1	Yes	Yes	Basic	Yes	500	0.1	0.3	1	3 to 5.5	16 Ld SSOP, 16 Ld TSSOP
ICL3222E	2	2	Yes	Yes	No	Yes	500	0.1	0.3	1	3 to 5.5	18 Ld PDIP, 18 Ld SOIC, 20 Ld SSOP, 20 Ld TSSOP
ICL3223E	2	2	Yes	Yes	Basic	Yes	500	0.1	0.3	1	3 to 5.5	20 Ld SSOP, 20 Ld TSSOP
ICL3224E	2	2	Yes	Yes	Enhanced	No	500	0.1	0.3	1	3 to 5.5	20 Ld SSOP
ICL3225E	2	2	Yes	Yes	Enhanced	No	1000	0.1	0.3	1	3 to 5.5	20 Ld PDIP, 20 Ld SSOP
ICL3226E	1	1	Yes	Yes	Enhanced	No	500	0.1	0.3	1	3 to 5.5	16 Ld SSOP
ICL3227E	1	1	Yes	Yes	Enhanced	No	1000	0.1	0.3	1	3 to 5.5	16 Ld SSOP
ICL3232E	2	2	Yes	No	No	No	500	0.1	0.3	N/A	3 to 5.5	16 Ld SOIC, 16 Ld SSOP, 16 Ld TSSOP, 20 Ld TSSOP
ICL3237E	5	3	Yes	Yes	No	Yes	500/1000	0.1	0.3	0.01	3 to 5.5	28 Ld SSOP
ICL3238E	5	3	Yes	Yes	Enhanced	No	500	0.1	0.3	0.01	3 to 5.5	28 Ld SSOP, 28 Ld TSSOP
ICL3241E	3	5	Yes	Yes	No	Yes	500	0.1	0.3	1	3 to 5.5	28 Ld SOIC, 28 Ld SSOP, 28 Ld TSSOP
ICL3243E	3	5	Yes	Yes	Basic	No	500	0.1	0.3	1	3 to 5.5	28 Ld SOIC, 28 Ld SSOP, 28 Ld TSSOP
ICL3244E	3	5	Yes	Yes	Enhanced	No	500	0.1	0.3	1	3 to 5.5	28 Ld SOIC, 28 Ld SSOP
ICL3245E	3	5	Yes	Yes	Enhanced	No	1000	0.1	0.3	1	3 to 5.5	28 Ld SOIC, 28 Ld SSOP, 28 Ld TSSOP
ISL4221E	1	1	Yes	Yes	Basic	Yes	500	0.1	0.3	0.15	2.7 to 5.5	16 Ld QFN
ISL4223E	2	2	Yes	Yes	Basic	Yes	500	0.1	0.3	0.15	2.7 to 5.5	20 Ld QFN
ISL4238E	5	3	Yes	Yes	Enhanced	No	500	0.1	0.3	0.01	2.7 to 5.5	32 Ld QFN
ISL4241E	3	5	Yes	Yes	No	Yes	500	0.1	0.3	0.01	2.7 to 5.5	32 Ld QFN
ISL4243E	3	5	Yes	Yes	Basic	No	500	0.1	0.3	0.01	2.7 to 5.5	32 Ld QFN
ISL4244E	3	5	Yes	Yes	Enhanced	No	500	0.1	0.3	0.01	2.7 to 5.5	32 Ld QFN
ISL4245E	3	5	Yes	Yes	Enhanced	No	1000	0.1	0.3	0.01	2.7 to 5.5	32 Ld QFN
ISL4260E	3	2	Yes	Yes	No	No	500	0.1	0.3	0.15	3 to 5.5	32 Ld QFN
ISL4270E	3	3	Yes	Yes	Enhanced	No	500	0.1	0.3	0.3	3 to 5.5	32 Ld QFN
ISL83220E	1	1	Yes	Yes	No	Yes	500	0.1	0.3	1	3 to 5.5	16 Ld TSSOP
ISL83384E	2	2	Yes	Yes	No	No	500	0.1	0.3	1	3 to 5.5	20 Ld SSOP
ISL83385E	2	2	Yes	Yes	No	No	500	0.1	0.3	1	3 to 5.5	18 Ld SOIC, 20 Ld SSOP
ISL83386E	3	2	Yes	Yes	No	No	500	0.1	0.3	1	3 to 5.5	20 Ld TSSOP
ISL83387E	3	3	Yes	Yes	Enhanced	No	500	0.1	0.3	1	3 to 5.5	24 Ld TSSOP
ISL8563E	2	2	Yes	Yes	No	Yes	500	0.1	0.3	1	3 to 5.5	18 Ld SOIC

ESD Protected, 5V

Device	# of Tx	# of Rx	High ESD	Manual Shutdown	Auto Shutdown	Rx Disable	Data Rate (kbps)	Cap. Value (µF)	I _{CC} Enabled (mA)	I _{CC} Disabled (A)	V _{CC} Range (+V)	Package
HIN202E	2	2	Yes	No	No	No	230	0.1	8	N/A	4.5 to 5.5	16 Ld PDIP, 16 Ld SOIC, 16 Ld SOT-23 T+R
HIN206E	4	3	Yes	Yes	No	Yes	230	0.1	11	1	4.5 to 5.5	24 Ld SOIC, 24 Ld SSOP
HIN207E	5	3	Yes	No	No	No	230	0.1	11	N/A	4.5 to 5.5	24 Ld SOIC, 24 Ld SSOP
HIN208E	4	4	Yes	No	No	No	230	0.1	11	N/A	4.5 to 5.5	24 Ld SOIC, 24 Ld SSOP
HIN211E	4	5	Yes	Yes	No	Yes	230	0.1	11	1	4.5 to 5.5	28 Ld SOIC, 28 Ld SSOP
HIN213E	4	5	Yes	Yes	No	Yes	230	0.1	11	15	4.5 to 5.5	28 Ld SOIC, 28 Ld SSOP
HIN232E	2	2	Yes	No	No	No	230	0.1	5	N/A	4.5 to 5.5	16 Ld PDIP, 16 Ld SOIC, 16 Ld SSOP, 16 Ld TSSOP

RS-485/RS-422 Selection Guide

3.3V, Fractional UL, IEC61000 ESD, Full Fail-Safe

Device	# of Tx/ # of Rx	Devices Allowed on Bus	Half/Full Duplex	High ESD	Hot Plug	Data Rate (Mbps)	Slew Rate Limited	Tx/Rx Enable	I _{CC} EN/DIS (μ A)	SHDN I _{CC} (μ A)	V _{CC} Range (+V)	Package
ISL3170E	1/1	256	Full	Yes-IEC61000	Yes	0.25	Yes	Yes	510/480	0.01	3.0 to 3.6	10 Ld MSOP, 14 Ld SOIC
ISL3171E	1/1	256	Full	Yes-IEC61000	Yes	0.25	Yes	No	510/480	N/A	3.0 to 3.6	8 Ld MSOP, 8 Ld SOIC
ISL3172E	1/1	256	Half	Yes-IEC61000	Yes	0.25	Yes	Yes	510/480	0.01	3.0 to 3.6	8 Ld MSOP, 8 Ld SOIC
ISL3173E	1/1	256	Full	Yes-IEC61000	Yes	0.5	Yes	Yes	510/480	0.01	3.0 to 3.6	10 Ld MSOP, 14 Ld SOIC
ISL3174E	1/1	256	Full	Yes-IEC61000	Yes	0.5	Yes	No	510/480	N/A	3.0 to 3.6	8 Ld MSOP, 8 Ld SOIC
ISL3175E	1/1	256	Half	Yes-IEC61000	Yes	0.5	Yes	Yes	510/480	0.01	3.0 to 3.6	8 Ld MSOP, 8 Ld SOIC
ISL3176E	1/1	256	Full	Yes-IEC61000	Yes	20	No	Yes	510/480	0.01	3.0 to 3.6	10 Ld MSOP, 14 Ld SOIC
ISL3177E	1/1	256	Full	Yes-IEC61000	Yes	20	No	No	510/480	N/A	3.0 to 3.6	8 Ld MSOP, 8 Ld SOIC
ISL3178E	1/1	256	Half	Yes-IEC61000	Yes	20	No	Yes	510/480	0.01	3.0 to 3.6	8 Ld MSOP, 8 Ld SOIC

5V, Fractional UL, IEC61000 ESD, Full Fail-Safe

Device	# of Tx/ # of Rx	Devices Allowed on Bus	Half/Full Duplex	High ESD	Hot Plug	Data Rate (Mbps)	Slew Rate Limited	Tx/Rx Enable	I _{CC} EN/DIS (μ A)	SHDN I _{CC} (μ A)	V _{CC} Range (+V)	Package
ISL3150E	1/1	256	Full	Yes-IEC61000	Yes	0.115	Yes	Yes	800/700	0.07	4.5 to 5.5	10 Ld MSOP, 14 Ld SOIC
ISL3152E	1/1	256	Half	Yes-IEC61000	Yes	0.115	Yes	Yes	800/700	0.07	4.5 to 5.5	8 Ld MSOP, 8 Ld SOIC
ISL3153E	1/1	256	Full	Yes-IEC61000	Yes	1	Yes	Yes	800/700	0.07	4.5 to 5.5	10 Ld MSOP, 14 Ld SOIC
ISL3155E	1/1	256	Half	Yes-IEC61000	Yes	1	Yes	Yes	800/700	0.07	4.5 to 5.5	8 Ld MSOP, 8 Ld SOIC
ISL3156E	1/1	256	Full	Yes-IEC61000	Yes	20	No	Yes	800/700	0.07	4.5 to 5.5	10 Ld MSOP, 14 Ld SOIC
ISL3158E	1/1	256	Half	Yes-IEC61000	Yes	20	No	Yes	800/700	0.07	4.5 to 5.5	8 Ld MSOP, 8 Ld SOIC

3.3V, Fractional UL, 15kV HBM ESD, Full Fail-Safe

Device	# of Tx/ # of Rx	Devices Allowed on Bus	Half/Full Duplex	High ESD	Hot Plug	Data Rate (Mbps)	Slew Rate Limited	Tx/Rx Enable	I _{CC} EN/DIS (μ A)	SHDN I _{CC} (μ A)	V _{CC} Range (+V)	Package
ISL83070E	1/1	256	Full	Yes	Yes	0.25	Yes	Yes	510/480	0.01	3.0 to 3.6	14 Ld SOIC
ISL83071E	1/1	256	Full	Yes	Yes	0.25	Yes	No	510	0.01	3.0 to 3.6	8 Ld SOIC
ISL83072E	1/1	256	Half	Yes	Yes	0.25	Yes	Yes	510/480	0.01	3.0 to 3.6	8 Ld MSOP, 8 Ld SOIC
ISL83073E	1/1	256	Full	Yes	Yes	0.5	Yes	Yes	510/480	0.01	3.0 to 3.6	14 Ld SOIC
ISL83075E	1/1	256	Half	Yes	Yes	0.5	Yes	Yes	510/480	0.01	3.0 to 3.6	8 Ld MSOP T+R, 8 Ld SOIC
ISL83076E	1/1	256	Full	Yes	Yes	20	No	Yes	510/480	0.01	3.0 to 3.6	14 Ld SOIC
ISL83077E	1/1	256	Full	Yes	Yes	20	No	No	510/480	N/A	3.0 to 3.6	8 Ld SOIC
ISL83078E	1/1	256	Half	Yes	Yes	20	No	Yes	510/480	0.01	3.0 to 3.6	8 Ld MSOP, 8 Ld SOIC

5V, Fractional UL, 15kV HBM ESD - Rx Full Fail-Safe

Device	# of Tx/ # of Rx	Devices Allowed on Bus	Half/Full Duplex	High ESD	Hot Plug	Data Rate (Mbps)	Slew Rate Limited	Tx/Rx Enable	I _{CC} EN/DIS (μ A)	SHDN I _{CC} (μ A)	V _{CC} Range (+V)	Package
ISL83080E	1/1	256	Full	Yes	Yes	0.115	Yes	Yes	530/530	0.07	4.5 to 5.5	10 Ld MSOP, 14 Ld SOIC
ISL83082E	1/1	256	Half	Yes	Yes	0.115	Yes	Yes	560/530	0.07	4.5 to 5.5	8 Ld MSOP, 8 Ld SOIC
ISL83083E	1/1	256	Full	Yes	Yes	0.5	Yes	Yes	530/530	0.07	4.5 to 5.5	10 Ld MSOP, 14 Ld SOIC
ISL83085E	1/1	256	Half	Yes	Yes	0.5	Yes	Yes	560/530	0.07	4.5 to 5.5	8 Ld MSOP, 8 Ld SOIC
ISL83086E	1/1	256	Full	Yes	No	10	No	Yes	530/530	0.07	4.5 to 5.5	10 Ld MSOP, 14 Ld SOIC
ISL83088E	1/1	256	Half	Yes	No	10	No	Yes	560/530	0.07	4.5 to 5.5	8 Ld MSOP, 8 Ld SOIC

Standard Half Duplex, 5V 1UL

Device	# of Tx/ # of Rx	Devices Allowed on Bus	Half/Full Duplex	High ESD	Hot Plug	Data Rate (Mbps)	Slew Rate Limited	Tx/Rx Enable	I _{CC} EN/DIS (μ A)	SHDN I _{CC} (μ A)	V _{CC} Range (+V)	Package
ISL4485E	1/1	32	Half	Yes	No	20	No	Yes	550/340	N/A	4.5 to 5.5	8 Ld SOIC
ISL4486	1/1	50	Half	No	No	40	No	Yes	1000/800	N/A	4.5 to 5.5	8 Ld MSOP, 8 Ld SOIC
ISL81485	1/1	32	Half	No	No	30	No	Yes	1000/800	N/A	4.5 to 5.5	8 Ld MSOP, 8 Ld SOIC
ISL81486	1/1	50	Half	No	No	30	No	Yes	1000/800	N/A	4.5 to 5.5	8 Ld MSOP, 8 Ld SOIC
ISL8483	1/1	32	Half	No	No	0.25	Yes	Yes	390/160	0.001	4.5 to 5.5	8 Ld PDIP, 8 Ld SOIC
ISL8483E	1/1	32	Half	Yes	No	0.25	Yes	Yes	390/160	0.001	4.5 to 5.5	8 Ld PDIP, 8 Ld SOIC
ISL8485	1/1	32	Half	No	No	5	No	Yes	550/340	N/A	4.5 to 5.5	8 Ld PDIP, 8 Ld SOIC
ISL8485E	1/1	32	Half	Yes	No	5	No	Yes	550/340	N/A	4.5 to 5.5	8 Ld PDIP, 8 Ld SOIC

Standard Full Duplex, 5V 1UL

Device	# of Tx/ # of Rx	Devices Allowed on Bus	Half/Full Duplex	High ESD	Hot Plug	Data Rate (Mbps)	Slew Rate Limited	Tx/Rx Enable	I _{CC} EN/DIS (μ A)	SHDN I _{CC} (μ A)	V _{CC} Range (+V)	Package
ISL8488	1/1	32	Full	No	No	0.25	Yes	No	160/160	N/A	4.5 to 5.5	8 Ld PDIP, 8 Ld SOIC
ISL8488E	1/1	32	Full	Yes	No	0.25	Yes	No	120/120	N/A	4.5 to 5.5	8 Ld SOIC
ISL8489	1/1	32	Full	No	No	0.25	Yes	Yes	160/160	N/A	4.5 to 5.5	14 Ld PDIP, 14 Ld SOIC
ISL8489E	1/1	32	Full	Yes	No	0.25	Yes	Yes	140/140	N/A	4.5 to 5.5	14 Ld SOIC
ISL8490	1/1	32	Full	No	No	5	No	No	340/340	N/A	4.5 to 5.5	8 Ld PDIP, 8 Ld SOIC
ISL8491	1/1	32	Full	No	No	5	No	Yes	340/340	N/A	4.5 to 5.5	14 Ld PDIP, 14 Ld SOIC
ISL8491E	1/1	32	Full	Yes	No	10	No	Yes	370/370	N/A	4.5 to 5.5	14 Ld SOIC

Standard Half Duplex, 3.3V 1UL

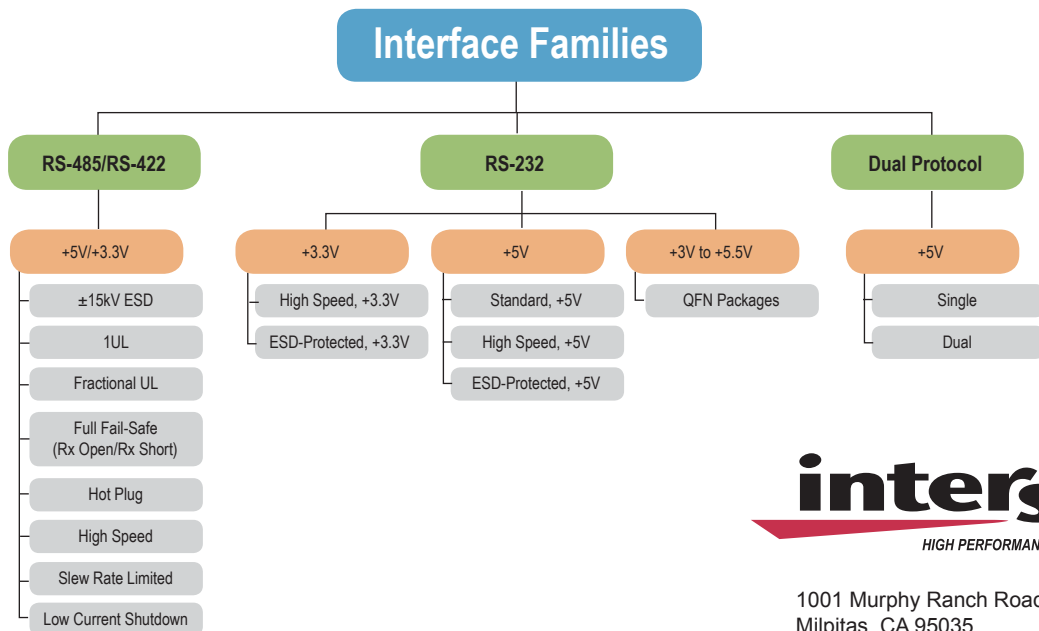
Device	# of Tx/ # of Rx	Devices Allowed on Bus	Half/Full Duplex	High ESD	Hot Plug	Data Rate (Mbps)	Slew Rate Limited	Tx/Rx Enable	I _{CC} EN/DIS (μ A)	SHDN I _{CC} (μ A)	V _{CC} Range (+V)	Package
ISL43485	1/1	32	Half	No	No	30	No	Yes	750/650	0.015	3.0 to 3.6	8 Ld SOIC
ISL83483	1/1	32	Half	No	No	0.25	Yes	Yes	750/650	0.015	3.0 to 3.6	8 Ld PDIP, 8 Ld SOIC
ISL83485	1/1	32	Half	No	No	10	No	Yes	750/650	0.015	3.0 to 3.6	8 Ld PDIP, 8 Ld SOIC

Standard Full Duplex, 3.3V 1UL

Device	# of Tx/ # of Rx	Devices Allowed on Bus	Half/Full Duplex	High ESD	Hot Plug	Data Rate (Mbps)	Slew Rate Limited	Tx/Rx Enable	I _{CC} EN/DIS (μ A)	SHDN I _{CC} (μ A)	V _{CC} Range (+V)	Package
ISL83488	1/1	32	Full	No	No	0.25	Yes	No	650/650	N/A	3.0 to 3.6	8 Ld PDIP, 8 Ld SOIC
ISL83490	1/1	32	Full	No	No	10	No	No	650/650	N/A	3.0 to 3.6	8 Ld PDIP, 8 Ld SOIC
ISL83491	1/1	32	Full	No	No	10	No	Yes	650/650	0.015	3.0 to 3.6	14 Ld PDIP, 14 Ld SOIC

PROFIBUS Compatible

Device	# of Tx/ # of Rx	Devices Allowed on Bus	Half/Full Duplex	High ESD	Hot Plug	Data Rate (Mbps)	Slew Rate Limited	Tx/Rx Enable	I _{CC} EN/DIS (μ A)	SHDN I _{CC} (μ A)	V _{CC} Range (+V)	Package
ISL3152E	1/1	256	Half	Yes-IEC61000	Yes	0.115	Yes	Yes	800/700	0.07	4.5 to 5.5	8 Ld MSOP, 8 Ld SOIC
ISL3155E	1/1	256	Half	Yes-IEC61000	Yes	1	Yes	Yes	800/700	0.07	4.5 to 5.5	8 Ld MSOP, 8 Ld SOIC
ISL3158E	1/1	256	Half	Yes-IEC61000	Yes	20	No	Yes	800/700	0.07	4.5 to 5.5	8 Ld MSOP, 8 Ld SOIC
ISL4486	1/1	50	Half	No	No	40	No	Yes	1000/800	N/A	4.5 to 5.5	8 Ld MSOP, 8 Ld SOIC
ISL81486	1/1	50	Half	No	No	30	No	Yes	1000/800	N/A	4.5 to 5.5	8 Ld MSOP, 8 Ld SOIC



1001 Murphy Ranch Road
 Milpitas, CA 95035
 North America 1-888-INTERSIL
 International (01) 1-321-724-7143